

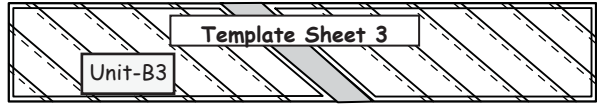
Foundation Paper Piecing, Border Units

B3, B4, B1, B2,

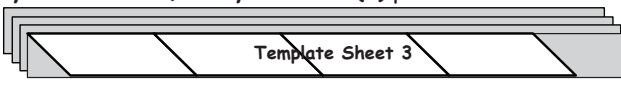
Note: Always pre arrange the fabric strips onto your foundation papers before you begin the paper piecing. It is easier to change out a fabric strip before you sew it onto the paper that after.

Bag #3: Unit-B3

Unit-B3: You should have (2) Template Sheets and (1) Strip Set, with six fabric strips.




Template Sheet 3, Template: Cut (4) pieces from each strip.



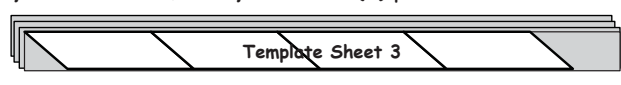
Arrange the fabric pieces for each Template Sheet in the order in which they are sewn onto the foundation papers. Complete the paper piecing and trim the excess fabric and paper off around each unit. Complete each set.

Bag #3: Unit-B4

Unit-B4: You should have (4) Template Sheets and (1) Strip Set, with eight fabric strips.



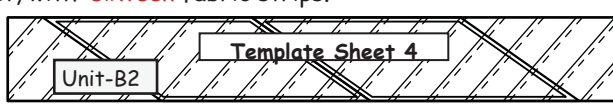
Template Sheet 3, Template: Cut (4) pieces from each strip.




Complete the paper piecing for each strip, trim the foundation papers.

Bag #4: Unit-B2

Unit-B2: You should have (4) Template Sheets and (1) Strip Set, with sixteen fabric strips.




Template Sheet 4, Template: Cut (4) pieces from each strip.



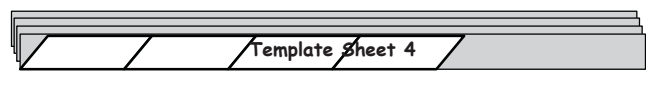
Complete the paper piecing for each strip, trim the foundation papers.

Bag #4: Unit-B1

Unit-B1: You should have (2) Template Sheets and (1) Strip Set, with eight fabric strips.



Template Sheet 4, Template: Cut (4) pieces from each strip.



Complete the paper piecing and trim the foundation papers.

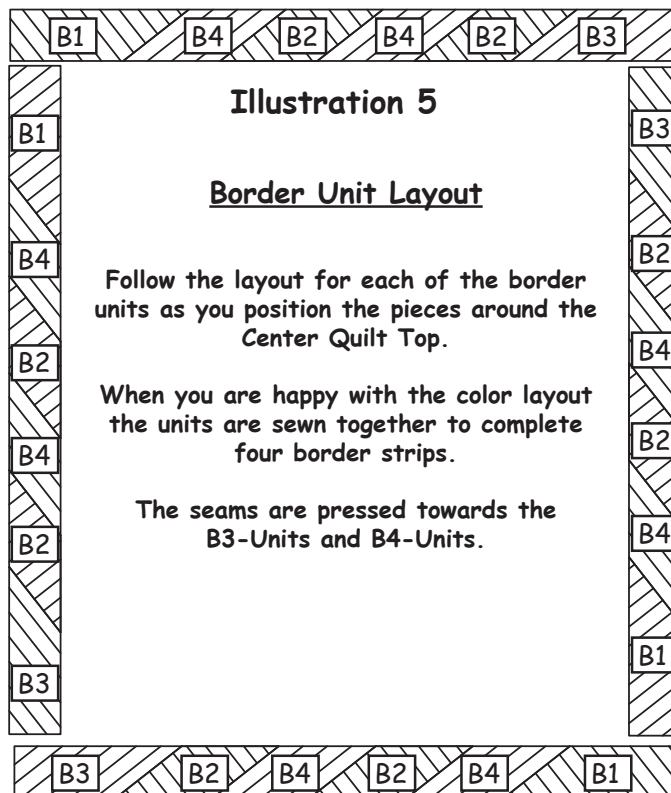


Illustration 5

Border Unit Layout

Follow the layout for each of the border units as you position the pieces around the Center Quilt Top.

When you are happy with the color layout the units are sewn together to complete four border strips.

The seams are pressed towards the B3-Units and B4-Units.

Sewing on the Borders

1. Measure the length of your quilt top down the center.
2. Trim the side border strips to match your quilt. The length of the quilt top should measure about 69-1/2" long. This measurement will vary depending on the accuracy of your seam allowances. *Illustration 6, Page 11.
3. The side border strips are sewn onto the edge of your quilt top. *Illustration 7, Page 11.
4. Press the seams facing in towards the inner accent border.
5. Measure the width of the quilt top across the center.
6. Trim the top and bottom border strips to match the width of your quilt. The width of your quilt top should measure about 67-1/2" wide. Again the measurement will vary depending on the accuracy of your seam allowances. *Illustration , Page 11.
7. The top and bottom border strips are sewn onto your quilt.
8. Press the seams facing in towards the inner accent border.

Binding Information

Double Folded Straight Edge Binding: The binding strips are cut across the salvage grain. The width of the strips are cut 2-1/2" wide. You will need to cut enough strips to go around the **outer edge of your quilt**. The strips are joined together, then pressed in half before sewing them onto the quilt. The joining seams on your strips should be pressed open to prevent the extra bulk when folding the binding over the edge of your quilt. The binding is sewn onto the top-side of the quilt with your machine and hand stitched on the backside.